

# Bay Window 19mm Metal Pole Fixing Instructions

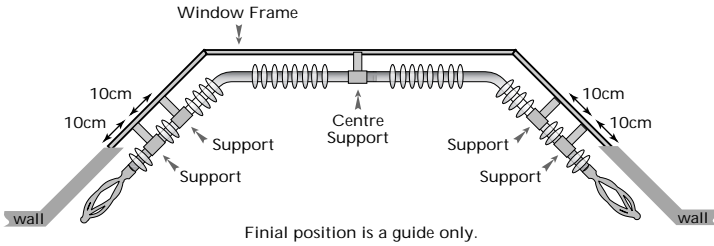
- Please read carefully before commencing

*We recommend 2 persons undertake the fixing of this pole*

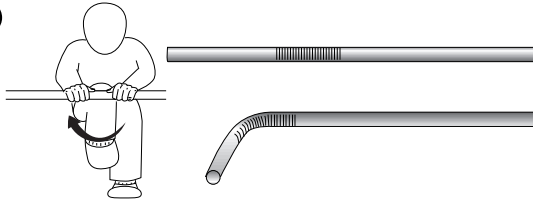
Note: Before bending pole, read point 2 carefully

If fitting with a Return Kit, please open and read both sets of fixing instructions before installation.

## How the Completed Pole should look



1



2. Gently bend the poles to the desired shape.

Ensure the cuts in the pole are to the inside of the bend.  
Practical Tip: Use your knee to ease the bending process and generate a smooth bend being careful to avoid injury or damaging your clothes.

2

## Cutting poles



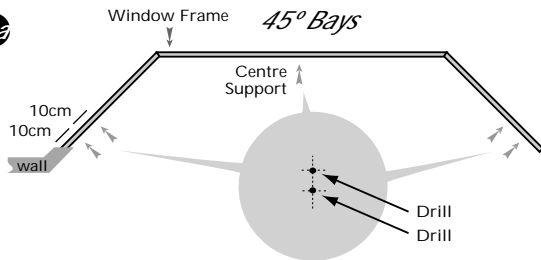
3a Cut both poles to the required length.

Remember to leave 10cms beyond the last support.

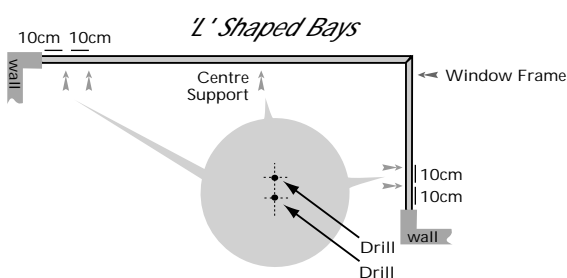
Note: You may need to cut both ends of both poles.

## Mark & Drill Supports

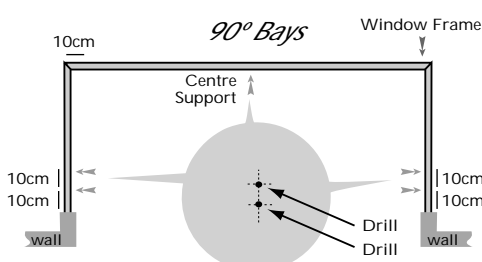
3a



3b



3c

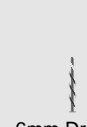


1. Mark and drill the positions, (using a 6mm drill bit), for the 5 supports as shown by arrows in the illustration that best matches your window. Ensure the Centre Support is positioned in the middle of the window. Insert the wall plugs supplied.  
For ceiling fix, mark and drill holes in ceiling.

Tools Required



Drill



6mm Drill Bit



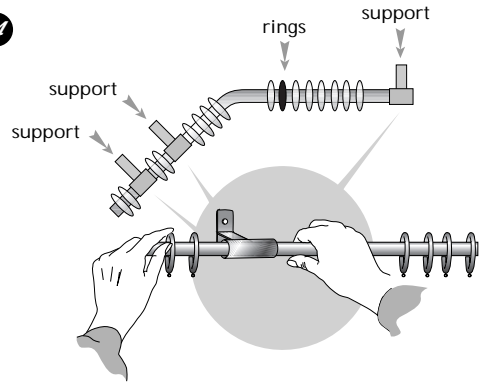
Screw Driver



Hack Saw

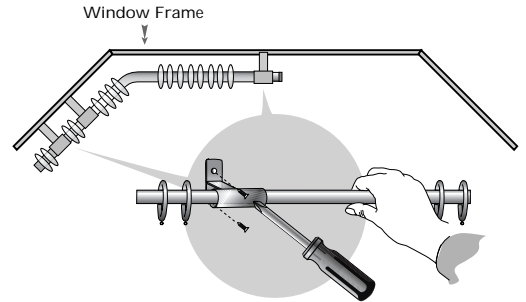
Tools Required

4



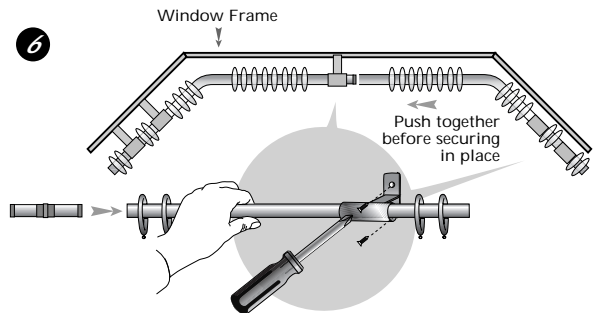
4. Slide 1 ring for every 10 cms of pole and 2 supports onto both poles and one in the centre as diagram above shows ensuring 2 rings are placed between the two end supports. 1-2 rings should also be allocated for the space between the end support and the finial. Allow the supports to hang loosely from the pole at this stage.

5



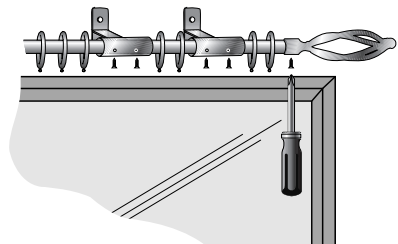
5. Whilst 1 person holds the pole in position, the other person should securely fix the complete set in place to the holes drilled in Step 1.

6



6. Insert the joining splice into the second pole and again using 2 persons, push the 2 poles together before securely fixing to the wall or ceiling.

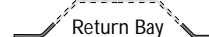
7



7. Tighten the grub screws in the supports to hold the pole in place and fix the finials, ensuring 1 or 2 rings are between each end support and finial, these will act as end stops.

Please Note: Component parts may vary in style.

For Return Bays - a separate Return Kit is available



Return Bay

Speedy Products Ltd, Salford, Manchester. M6 6WY England.  
FREEPHONE HELPLINE: 0800 393 747  
Web Site: <http://www.speedy-products.co.uk>

